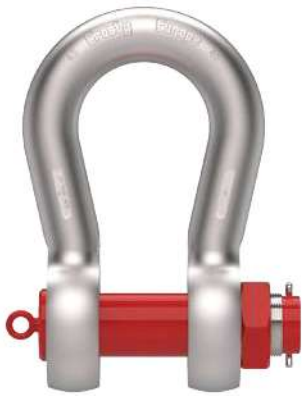
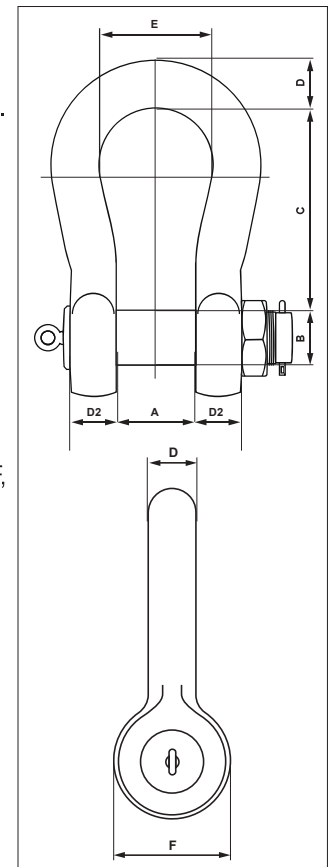


S-2135 / S-2145



- Trusted Crosby quality.
- Embossed QUIC-CHECK Deformation and Angle Indicators included.
- Meets performance requirements of Grade 8 shackles.
- 5:1 Design Factor.
- Individually proof loaded to 2 times the Working Load Limit.
- S-2135 and S-2145 shackles are available with aluminum paint and are not galvanized.
- Operating temperature range -20° C (-4° F) to 200° C (392° F) for S-2135 and S-2145.
- Material inspection certificate Type 3.1 according to EN 10204.
- DNV type approved: DNVGL-ST-0377 and DNVGL-ST-0378.
- Meets performance requirements of federal specification RR-C-271F, except for those provisions required of the contractor.
- Meets or exceeds all requirements of ASME B30.26.
- S-2135CT COLD TUFF® available from 85t to 400t with an operating temperature range of -60°C (-76°F) up to +200°C (392°F).
- DNV witness proof testing available on request for all sizes and models.
- Magnetic Particle Inspection available on request for all sizes and models.
- Look for the Red Pin® ... the mark of genuine Crosby quality.



S-2135 / S-2145 Bolt Type Anchor Shackles

Frame Size (in)	Working Load Limit (t)	Stock No	Weight (lb)	Dimensions (in)							
				A	+/- 0	B	C	D	D2	E	F
S-2135											
3	85	1205009	172	5.00	+0.25 / -0	3.3	13.0	3.3	3.1	7.5	6.4
3 1/2	120	1205018	254	5.67	+0.25 / -0	3.7	15.0	3.7	3.5	9.4	7.9
4	150	1205027	357	6.50	+0.33 / -0	4.3	15.2	4.1	3.9	10.8	9.1
4 3/4	200	1205036	529	7.09	+0.33 / -0	4.9	17.7	4.7	4.3	11.0	10.6
5	250	1205045	675	8.07	+0.40 / -0	5.5	20.5	5.1	4.5	12.0	11.4
6	300	1205054	811	8.07	+0.40 / -0	5.9	20.9	5.5	4.7	12.0	12.4
7	400	1205063	1327	9.06	+0.40 / -0	6.9	22.6	6.3	6.3	12.8	14.4
7 1/4	500	1205234	1620	9.84	+0.47 / -0	7.3	25.6	7.1	6.3	13.8	15.2
8	600	1205243	2136	10.83	+0.50 / -0	8.1	25.6	7.9	7.3	14.8	16.9
8 1/4	700	1205252	2405	11.81	+0.60 / -0	8.5	25.6	8.3	7.9	15.7	17.3
8 1/2	800	1205261	2438	11.81	+0.60 / -0	8.7	25.6	8.3	7.9	15.7	17.7
9 1/2	1000	1205270	3254	13.39	+0.66 / -0	9.4	27.6	9.4	9.4	16.5	19.7
10	1250	1205279	4310	14.17	+0.75 / -0	10.6	29.5	10.2	8.9	17.7	22.4
11	1500	1205288	5130	14.17	+0.75 / -0	11.4	31.5	11.0	8.9	17.7	24.0
S-2145											
3	120	1205072	172	5.00	+0.25 / -0	3.3	13.0	3.3	3.1	7.5	6.4
3 1/2	150	1205081	254	5.67	+0.25 / -0	3.7	15.0	3.7	3.5	9.4	7.9
4	175	1205090	357	6.50	+0.33 / -0	4.3	15.2	4.1	3.9	10.8	9.1

Maximum Proof Load is 2.0 times the Working Load Limit.

